



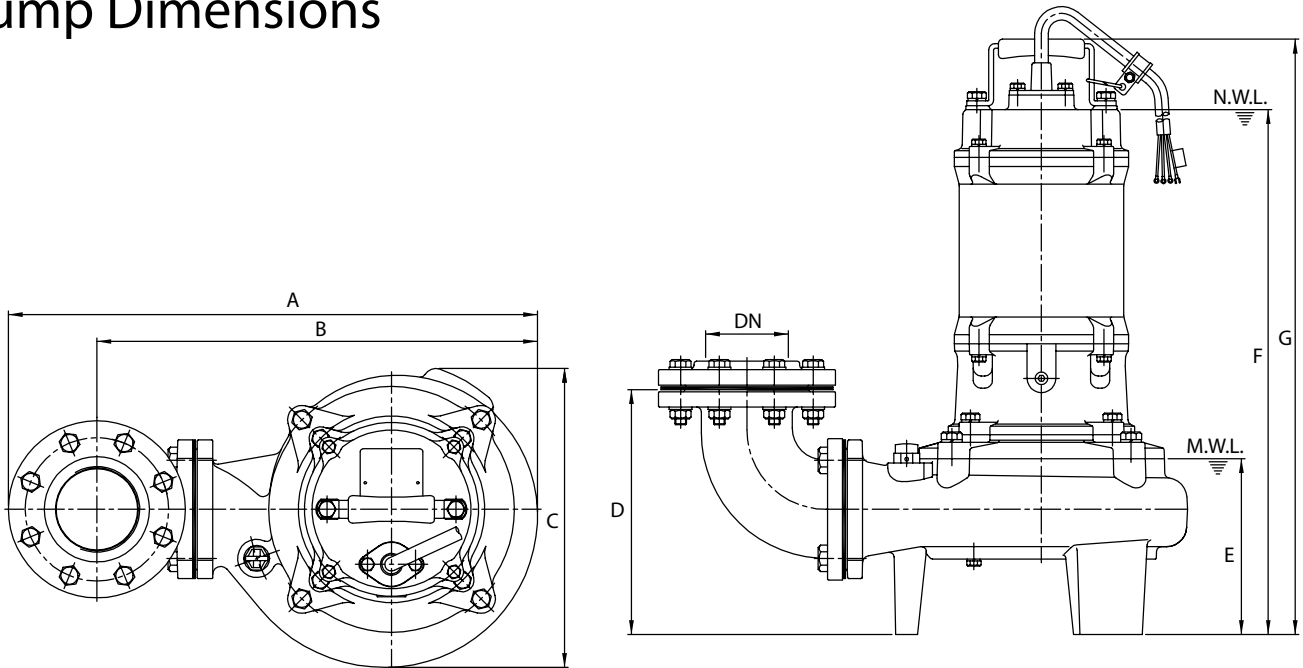
Dimensional Drawing

SNC Models

01/15/2005

SNC-3N(C/V)-XX-20;SNC-3N(C/V)-XX-30;SNC-3N(C/V)-XX-50;SNC-4N(C/V)-XX-50

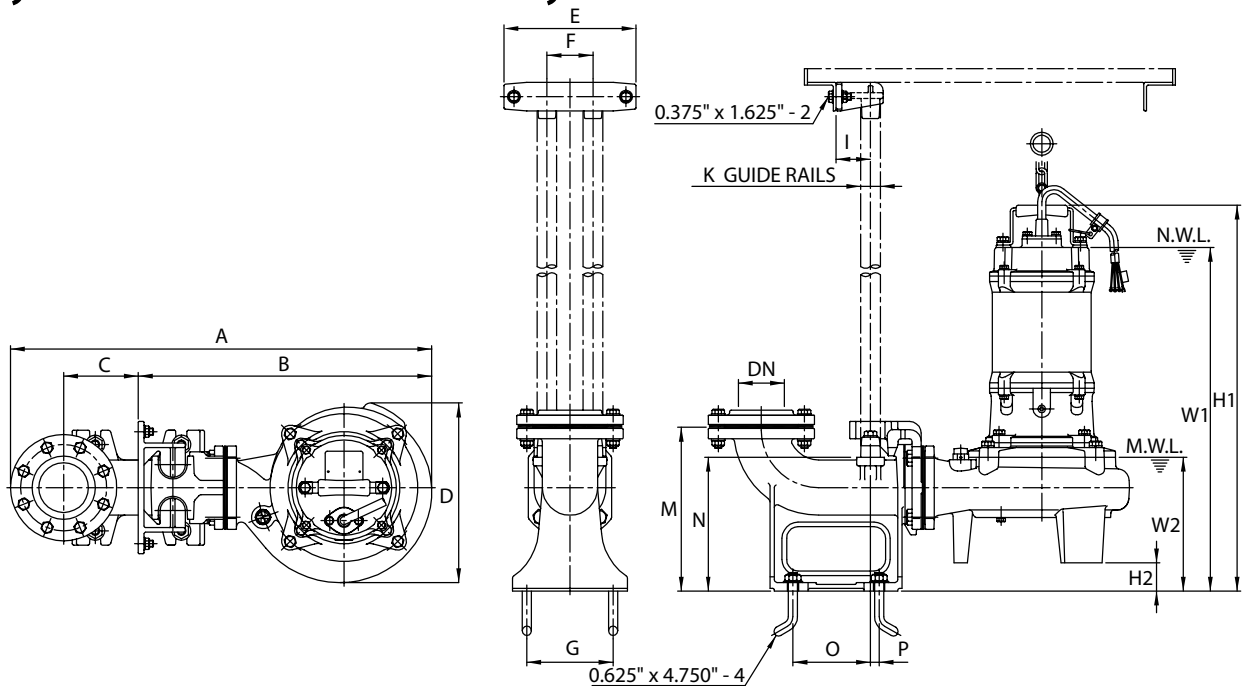
Pump Dimensions



TYPE	DN	A	B	C	D	E	F	G
SNC-3N(C/V)-XX-20	3	20.88	17.25	11.38	10.00	7.25	19.88(22.88)	22.38(25.38)
SNC-3N(C/V)-XX-30	3	21.75	18.13	12.38	10.00	7.25	21.63(24.25)	24.50(27.13)
SNC-3N(C/V)-XX-50	3	21.75	18.13	12.38	10.00	7.25	22.38	25.38
SNC-4N(C/V)-XX-50	4	22.50	18.38	12.38	10.00	7.25	22.38	25.38

Single phase dimensions ()
 N.W.L.: Normal water level
 M.W.L.: Minimum water level

Easy Lift GRS - Guide Rail System Dimensions



TYPE	DN	A	B	C	D	E	F	G	I	K	M	N	O	P	W1	W2	H1	H2
SNC-3N(C/V)-XX-20	3	27.88	19.00	5.13	11.38	9.00	3.13	5.88	2.38	1.25	11.25	9.25	5.38	0.63	27.75(24.88)	9.00	24.25(27.38)	1.88
SNC-3N(C/V)-XX-30	3	28.88	20.13	5.13	12.38	9.00	3.13	5.88	2.38	1.25	11.25	9.25	5.38	0.63	23.63(26.13)	9.25	26.50(29.00)	1.88
SNC-3N(C/V)-XX-50	3	28.88	20.13	5.13	12.38	9.00	3.13	5.88	2.38	1.25	11.25	9.25	5.38	0.63	24.38	9.25	27.25	1.88
SNC-4N(C/V)-XX-50	4	30.75	20.13	6.50	12.38	9.00	3.13	6.63	2.38	1.25	11.38	9.38	6.13	0.63	24.38	9.25	27.25	1.88

All dimensions are in inches unless otherwise noted.